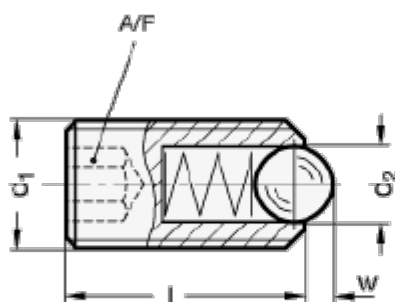


Article number: 206153M10KS

Description: E+G spring plungers 615.3-M10-KS

Measures



Thread locking **PFB**
Polyamide patch
for type **K**



Thread locking **PFB**
Polyamide patch
for type **KS**



Thread locking **MVK**
Micro encapsulation precote
(for all types)

A/F	= 5
d1	= M10
d2	= 6
l	= 23
Max. spring load in N	= 104
Preload spring pressure in N	= 57
w	= 2